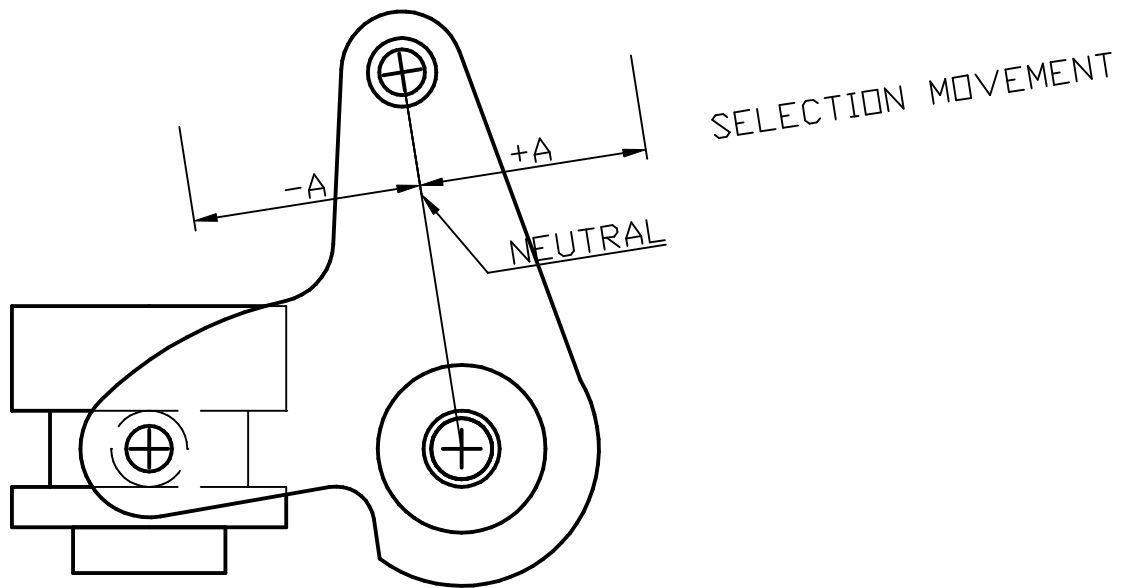
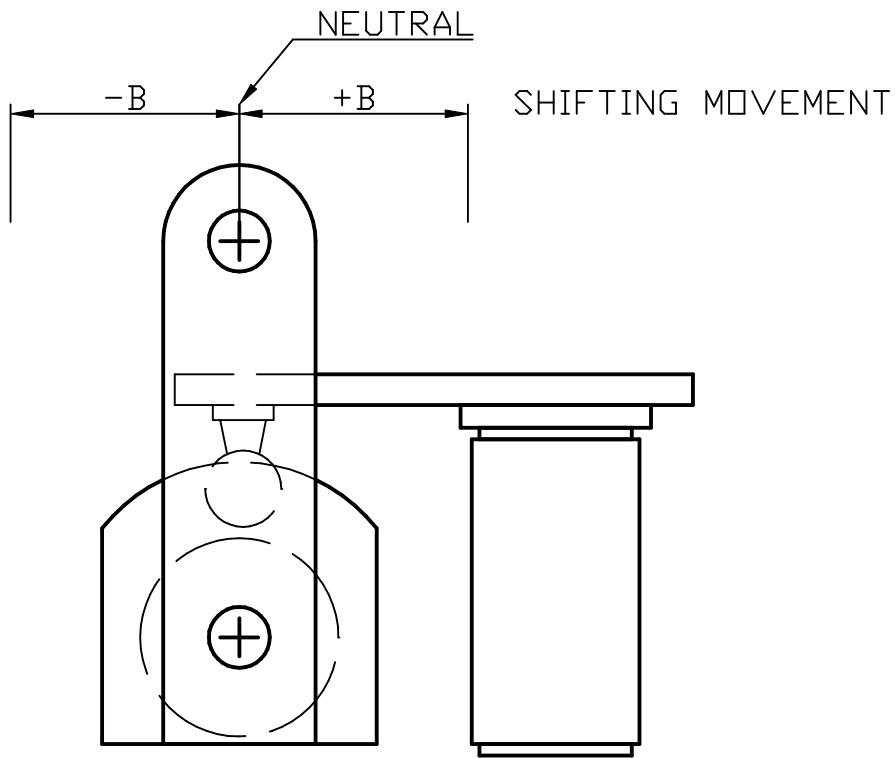


# 01E SHIFTING AND SELECTION MOVEMENTS



GEAR	R	1	2	3	4	5	6
SELECTION $\pm A$							
SHIFTING $\pm B$							